

U75 Series – mechanical briquetting press

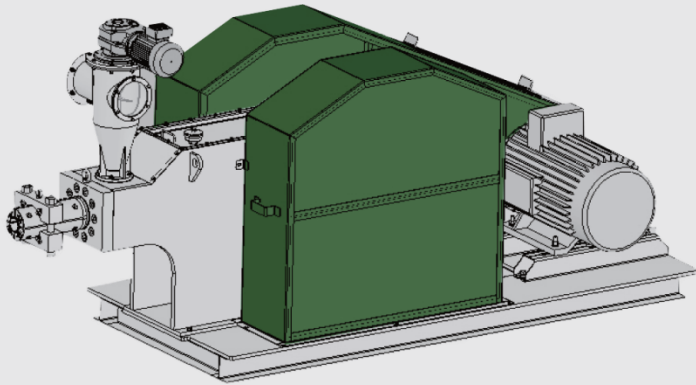
Briquette biomass shreds into heat pucks or endless briquettes.

General Description

U75-Series mechanical briquetting presses are designed for briquetting wood shavings, sawdust, straw and others. Through this operation not only storage and transport costs will be reduced, but the briquettes are also valuable, consistent fuel. Depending on the throughput and material, the briquetting presses can be individually adapted to various tasks.

Technical Machine Advantages

- Variable container size (on request)
- Continuous high output rate with high density output product
- Auto lubrication of all major moving parts
- For briquetting in industrial scale and quality



U Series

U75

Briquette diameter	(mm)	75
Voltage	(V)	480
Motor power	(kW)	55
Throughput	(kg)	800-1000
Weight	(kg)	6100

Dimensions

A	(mm)	4020
B	(mm)	1420
C	(mm)	2010
D	(mm)	880
E	(mm)	2060

